

1 2 3 4 5 6

A

A

B

B

C

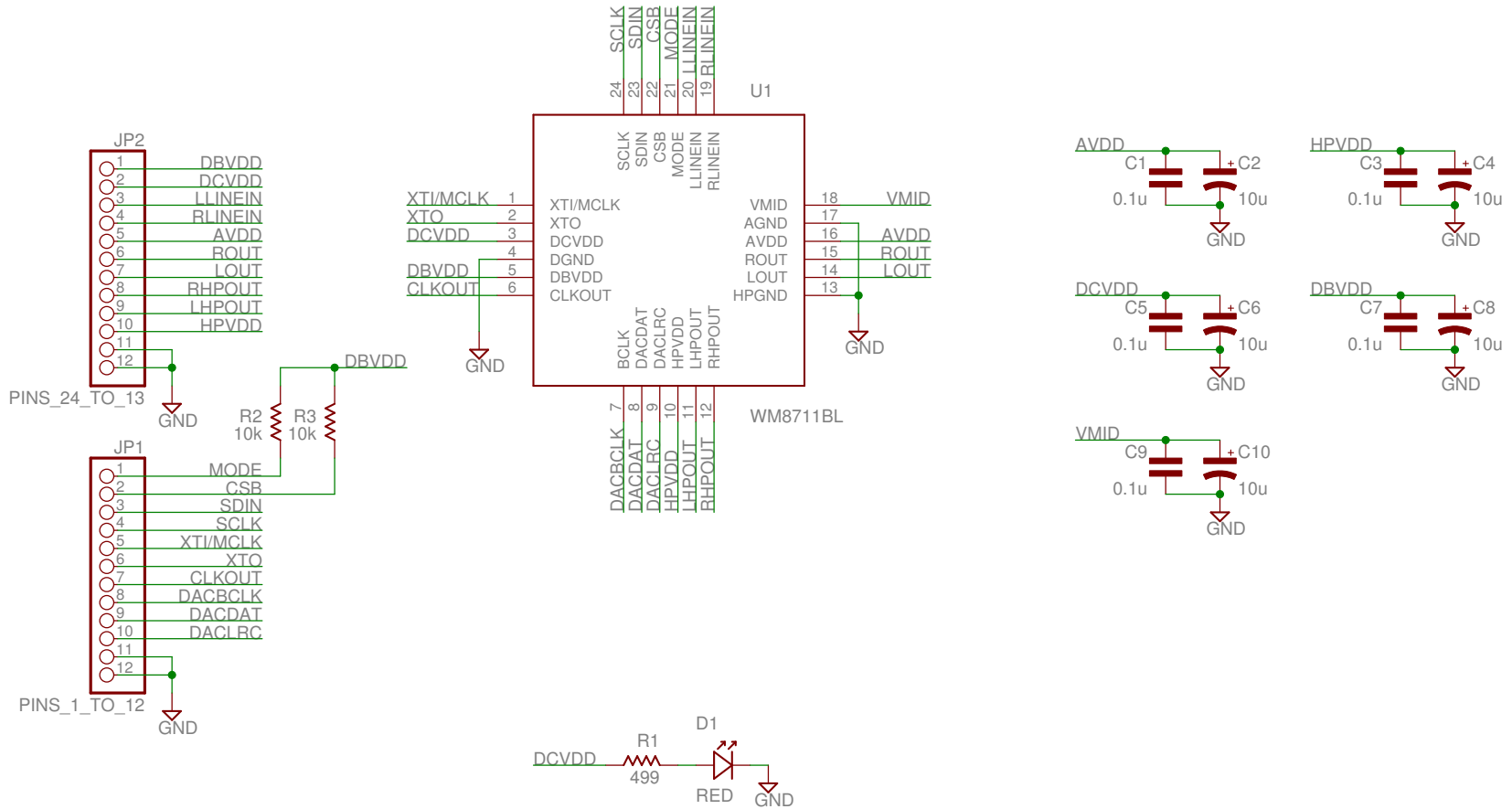
C

D

D

E

E



DIY embedded™

TITLE: WM8711BL Breakout v1.0

Date: 10/25/11 7:42 PM

Engineer:BB

Sheet: 1/1