

1 2 3 4 5 6

A

A

B

B

C

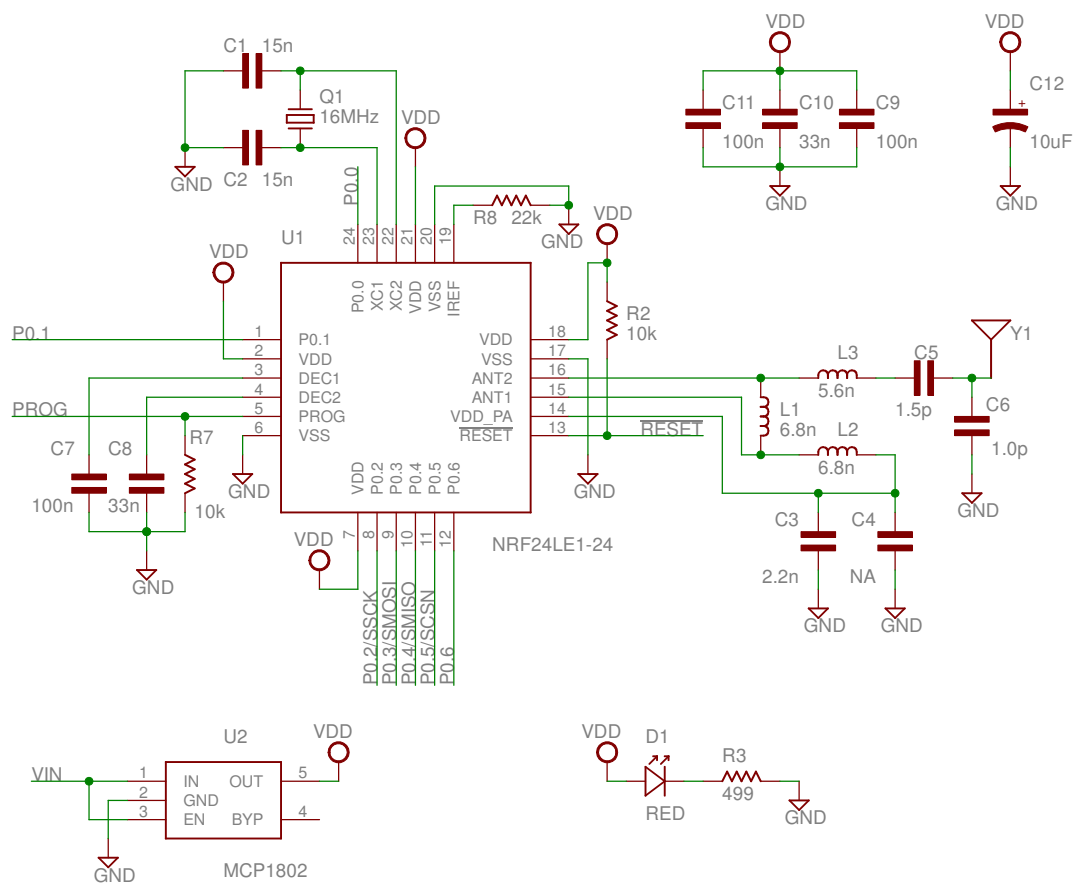
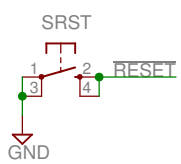
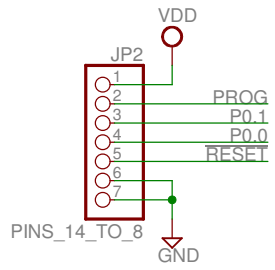
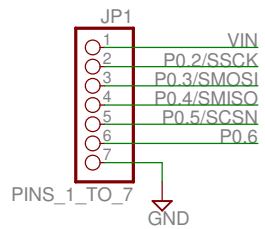
C

D

D

E

E



DIYembedded™

TITLE: nRF24LE1-24 stamp chip v1.0

Date: 8/9/2010 7:17:30 PM

Engineer: BB

Sheet: 1/1