

1 2 3 4 5 6

A

B

C

D

E

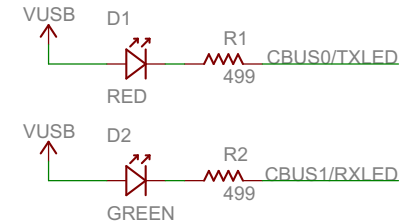
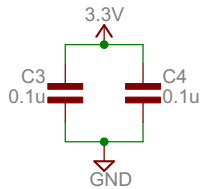
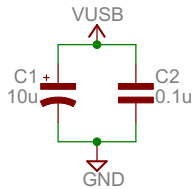
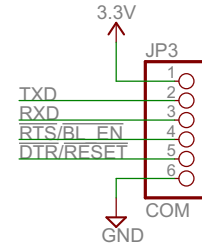
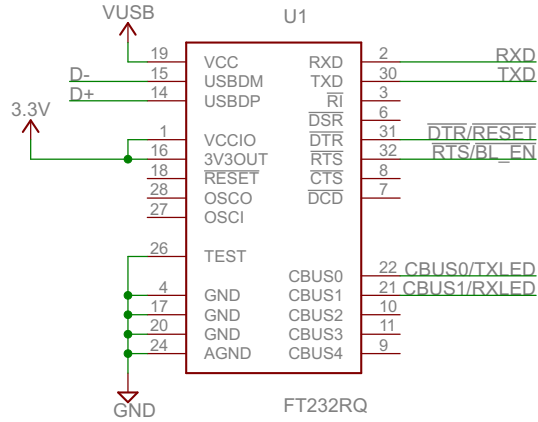
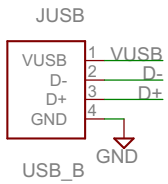
A

B

C

D

E



DIY embedded™

TITLE: FT232RL Breakout v1.0

Date: 3/17/2013 10:07:46 PM

Engineer:BB

Sheet: 1/1